



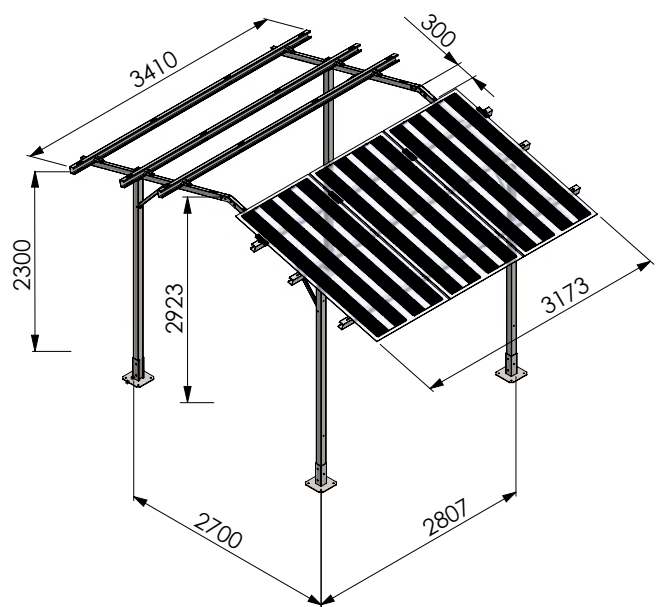
CERTIFIED DOUBLE GLASS MODULES ACCORDING TO EN12600 FOR OVERHEAD MOUNTING

# Versatile energy cube

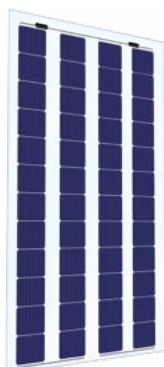
**Versatile use: plant growing area, bicycle stands, sitting area, barbecue area, sports activities, storage and many more.**

**Garden PV (open version) and Power Storage Box (closed system with B-Modules)**

With foot parts (25x25cm)  
incl. waterproof fixing  
Rack for 6 modules



## A Module Type for transparent Version:



**B48/6 - 300 Wp**

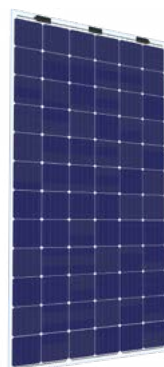
GLAS-GLAS BIFACIAL



**40%  
Transparenz**

CERTIFIED DOUBLE GLASS MODULES FOR OVERHEAD MOUNTING (EN12600)

## B Module Type for power Version:



**B72/6 - 450 Wp**

GLAS-GLAS BIFACIAL



**10%  
Transparenz**



## Examples: One system - various applications



**Optional: side walls and doors, rain gutter, inverter, hybrid inverter and battery for island PV.**



**GridParity AG**  
next generation photovoltaic  
Ohmstr. 7, 85757 Karlsfeld  
GERMANY

**www.gridparity.ag**  
info@gridparity.ag  
Tel: +49 (0) 8131 3307 560  
Fax: +49 (0) 8131 3307 737

